

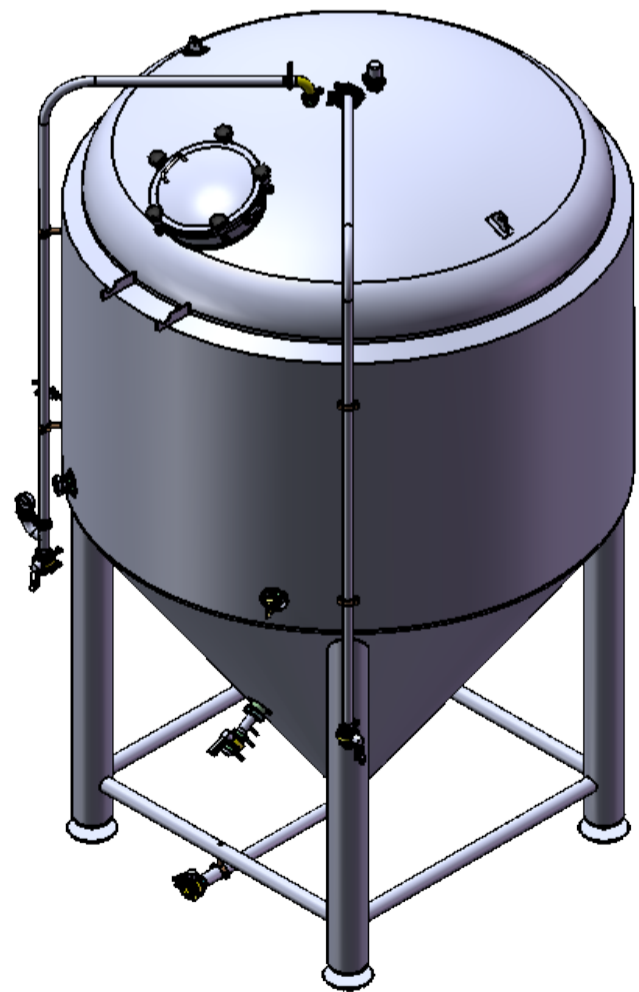
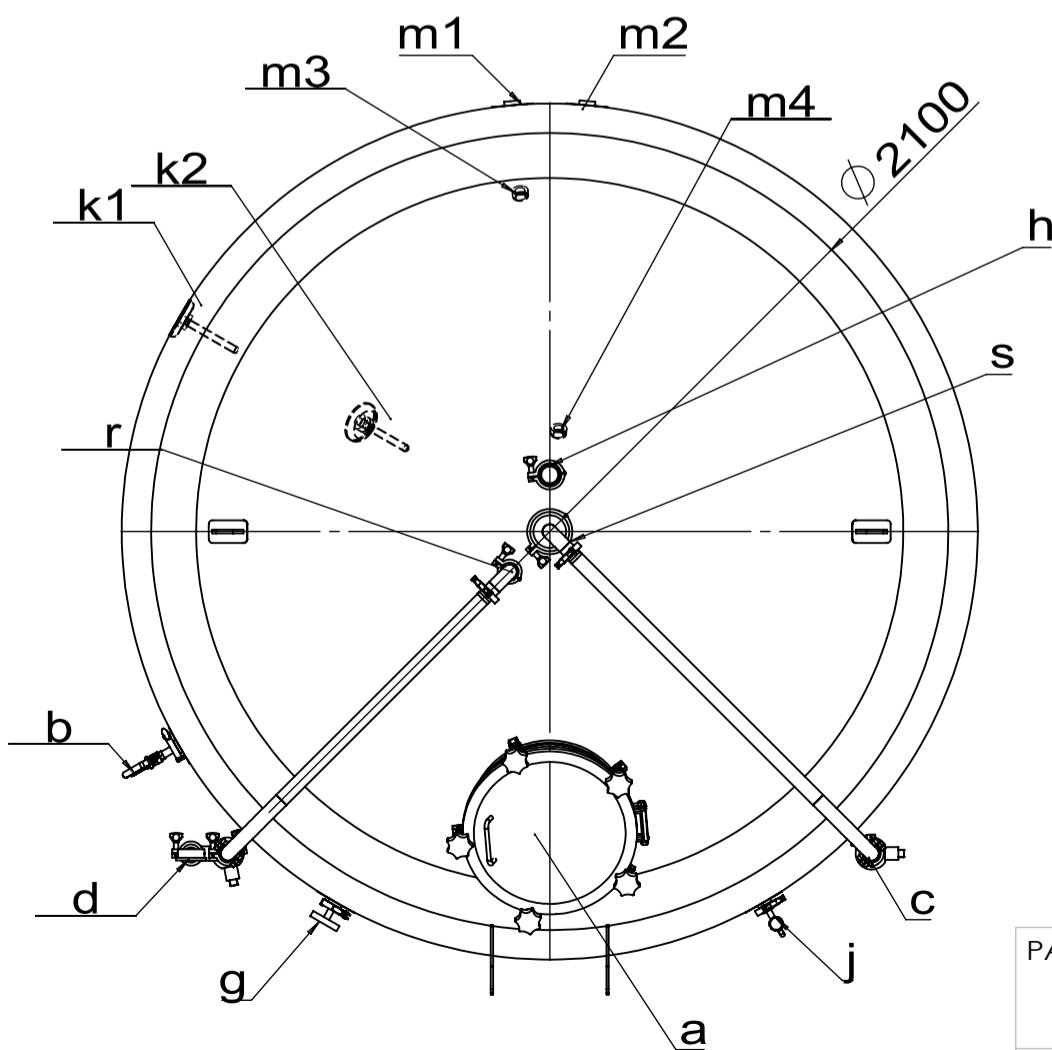
DESIGN DATA SHEET

DESIGN PARAMETERS

CONTAINER CLASS		PRESSURE	
		CONTAINER	JACKET
PARAMETER NAME			
WORKING PRESSURE	Mpa	0.2	0.3
DESIGN PRESSURE	Mpa	0.3	0.4
WORKING TEMPERATURE	℃	-5~80℃	
DESIGN TEMPERATURE	℃	-5~80℃	
MEDIUM		BEER	GLYCOL
MEDIUM DENSITY	Kg/m ³		
MATERIAL		304	304
FULL VOLUME	HL	73.2	
EFFECTIVE VOLUME	HL	60	
SAFETY VALVE ACT PRESSURE	Mpa	0.22	
HEAT TRANSFER AREA	m ²		
INSULATION MATERIAL		PU	
INSULATION THICKNESS	mm	80	
PRESSURE TEST	Mpa	0.3	0.6
AIR-TIGHTNESS TEST	Mpa		

TABLE

NO.	NAME	CONNECT SIZE	CONNECT TYPE	REMARKS
a	WZA-MANHOLE	Φ400	Q-OPEN	
b	CO2-INLET	Φ38.1X1.5	CLAMP	
c	CIP-INLET	Φ38.1X1.5	CLAMP	
d	PRE-GAGE	Φ38.1X1.5	CLAMP	
e	BEER OUT	Φ38.1X1.5	CLAMP	
f	YEAST-OUT	Φ50.8X1.5	CLAMP	
g	TEM-GAGE	Φ38.1X1.5	CLAMP	
h	SAFE VALVE	Φ50.8X1.5	CLAMP	
j	SAMPLE VALVE	Φ38.1X1.5	CLAMP	
k1-2	TEM-SENSOR	NPT1/2"	SCREW	
r	OVER FLOW	Φ38.1X1.5	CLAMP	
s	PORT	Φ89X2	CLAMP	
m1-4	GLYCOL PORT	NPT 3/4"	SCREW	



PART NAME		NINGBO HAN YU MACHINERYCO.,LTD			
60HL FER					
DRAW	2021/3/24	SCALE	1:26	TOTAL 1 PAGE 1	
VERIFY		PROJECTION		PART NO.	
CONFIRM		WEIGHT	1200Kg	F60H210SJ-OZ001	